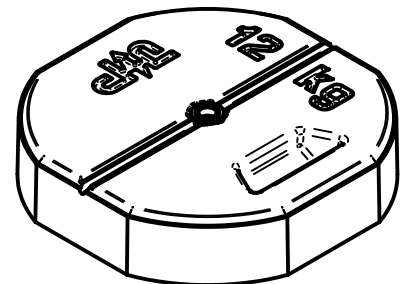
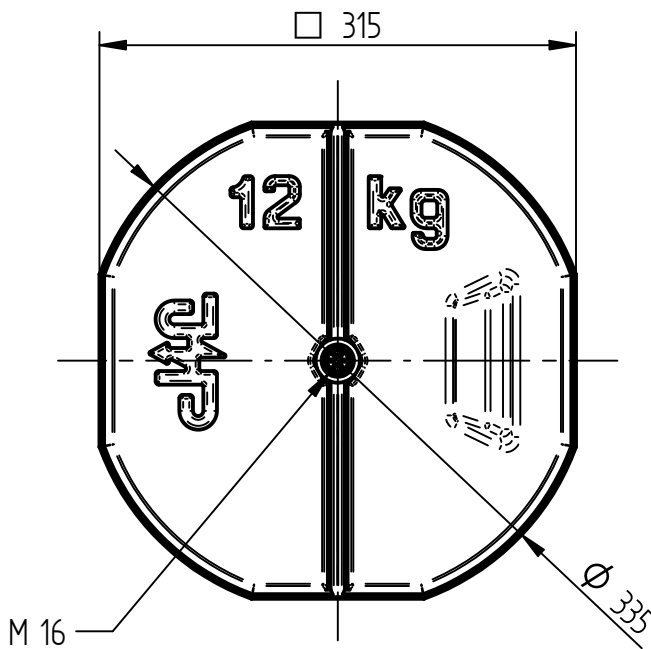
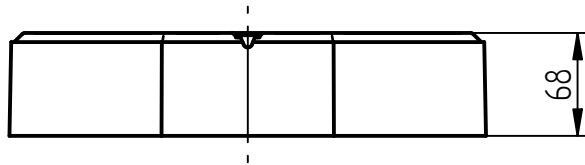


Product Specification

Ord.-No.: **103 103**

Specification: Concrete base, 12 kg, Ø 335 mm with female thread M16

Performance: Concrete base with threaded sleeve for air-termination rods to protect roof structures on flat roofs.



On synthetic roofing membranes a support plate for concrete bases is necessary.

Material	frostproof concrete (C45/55)
Necessary set-up area	Ø 335 mm
Threaded sleeve	brass, female thread M16
Weight	12 kg
Packing unit	1 unit