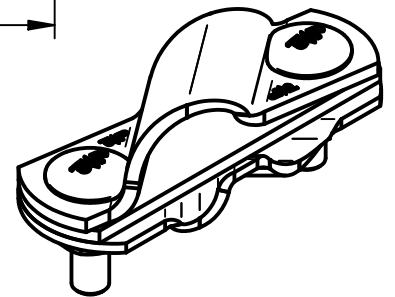
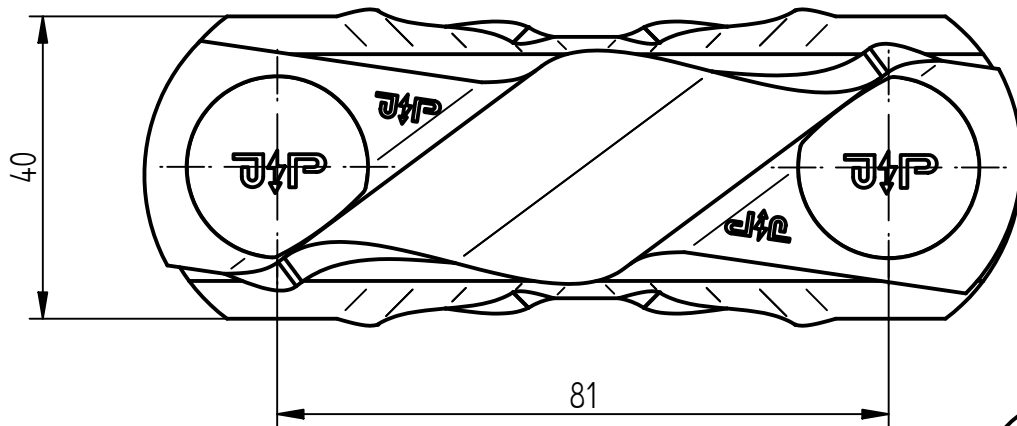
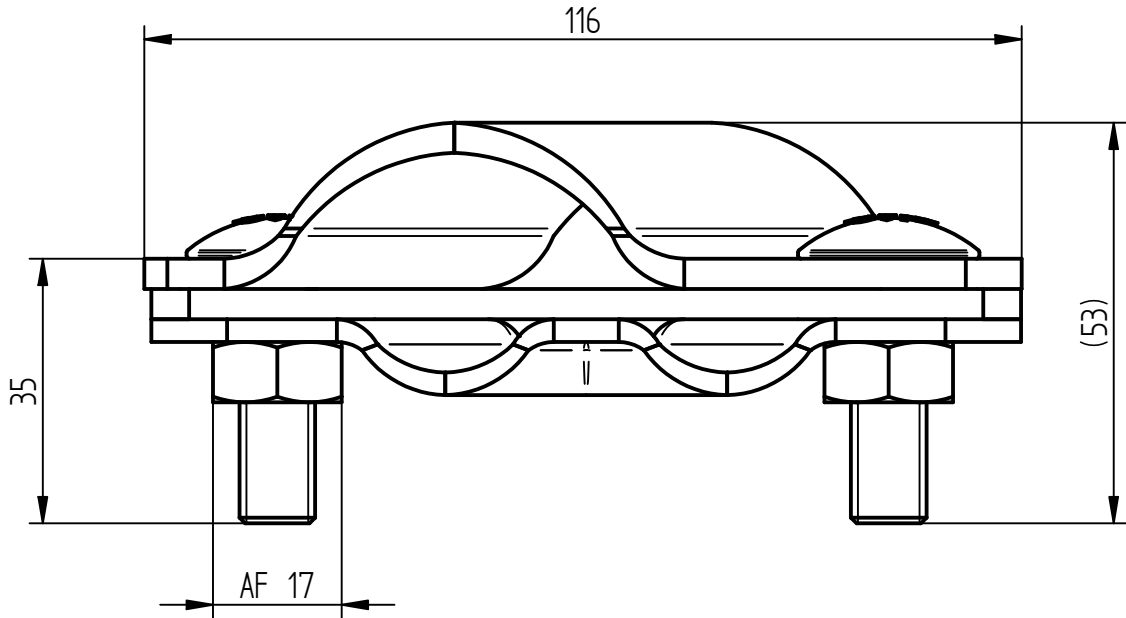


Product Specification

Ord.-No.: **111 356**

Specification: Connection clamp, St/tZn, for earth rods
three-part Ø 8-10 and fl. 30-40 mm / Ø 20 mm

Performance: Connection clamp according to DIN EN 62561-1 for the connection of round conductors, cables or flat conductors to the earth rod.



Material	St/tZn
Type of clamp	three-part
Fit	Ø 8-10 mm und fl. 30-40 mm / Ø 20 mm
Screw	[2x] Carriage bolt M10 with nut, St/tZn
Weight	382 g
Standard reference	DIN EN 62561-1
Packing unit	25 units