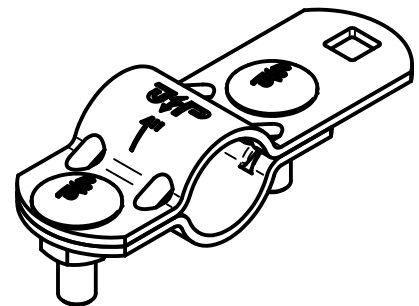
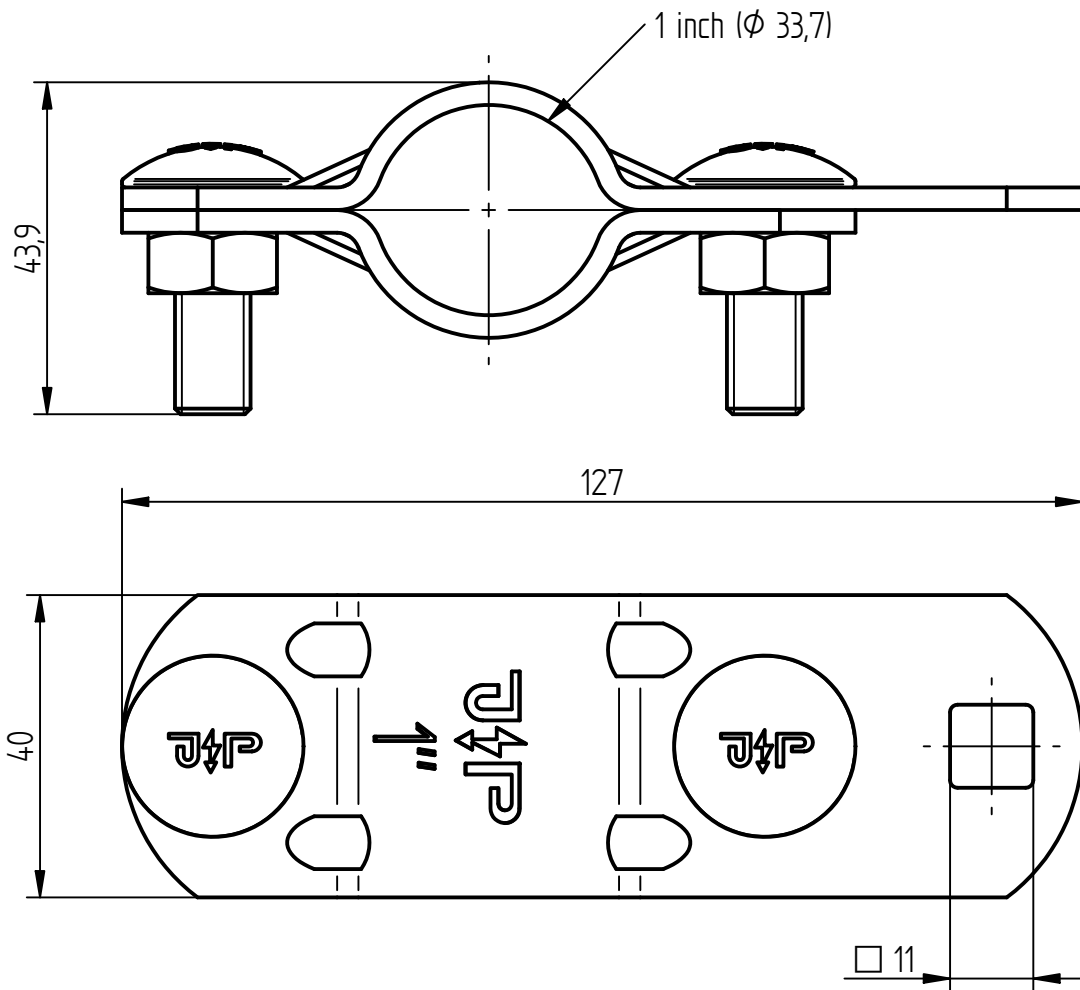


Product Specification

Ord.-No.: **1243**

Specification: Earthing pipe clamp, St/tZn, 1 inch
(Ø 33.7 mm)

Performance: Earthing pipe clamp according to DIN EN 62561-1.



Material	St/tZn
Fit	1 inch
Diameter of fit	Ø 33.7 mm
Screws	[2x] Carriage bolt M10 with nut, St/tZn
Weight	245 g
Standard reference	DIN EN 62561-1
Packing unit	25 units