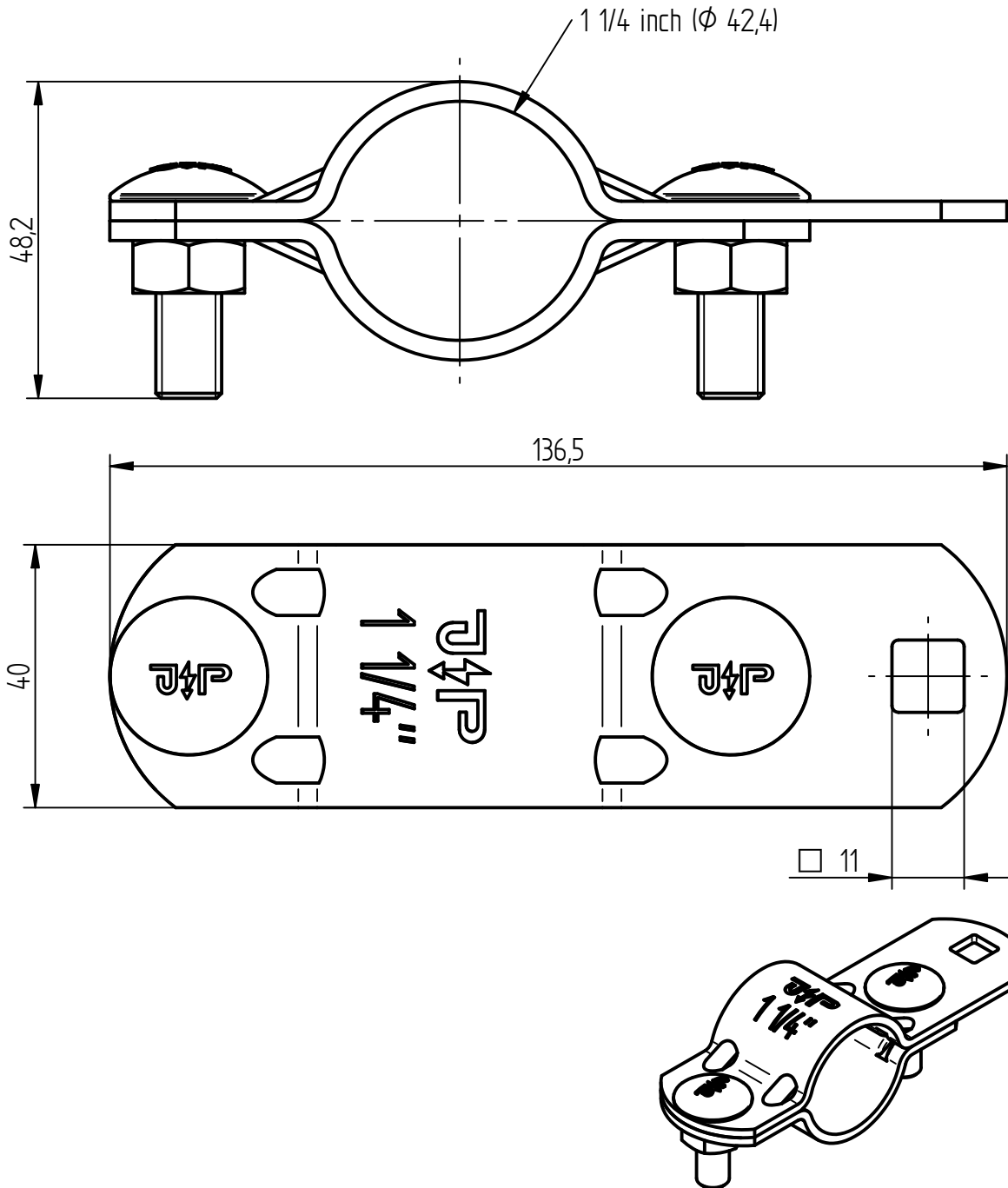


Product Specification

Ord.-No.: **1244**

Specification: Earthing pipe clamp, St/tZn, 1 1/4 inch (Ø 42.4 mm)

Performance: Earthing pipe clamp according to DIN EN 62561-1.



| | |
|--------------------|---|
| Material | St/tZn |
| Fit | 1 1/4 inch |
| Diameter of fit | Ø 42.4 mm |
| Screws | [2x] Carriage bolt M10 with nut, St/tZn |
| Weight | 260 g |
| Standard reference | DIN EN 62561-1 |
| Packing unit | 25 units |