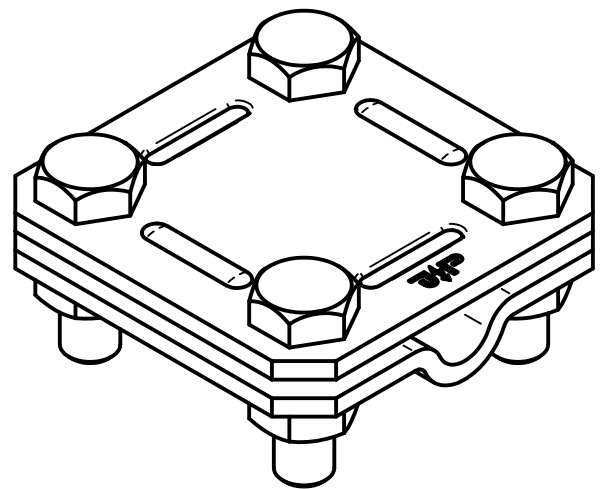
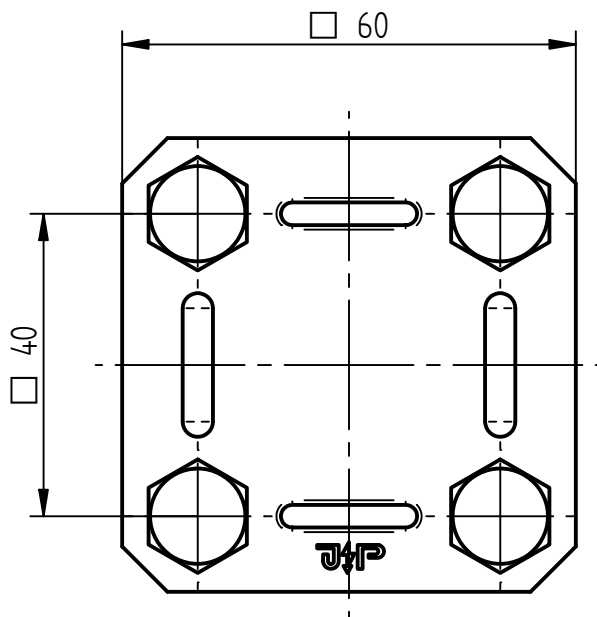
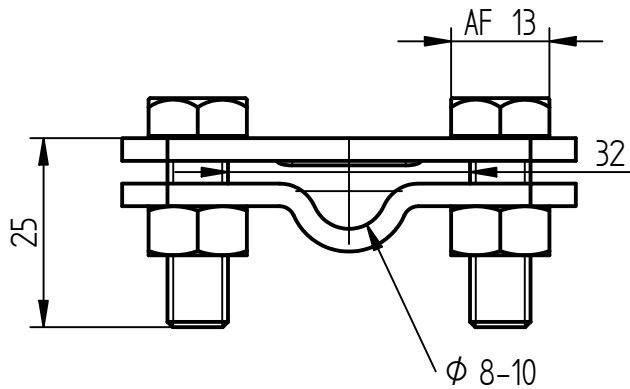


Product Specification

Ord.-No.: **1322**

Specification: Cross clamp, St/tZn, two-part flat/round, fl. 30 mm / Ø 8-10 mm

Performance: Cross clamp according to DIN EN 62561-1 to be used for T-, cross- and parallel connections.



Material	St/tZn
Type of clamp	two-part, flat/round
Fit	fl. 30 mm/Ø 8-10 mm
Screw	[4x] Hexagon bolt M8 with nut, St/tZn
Weight	242 g
Standard reference	DIN EN 62561-1
Packing unit	25 units