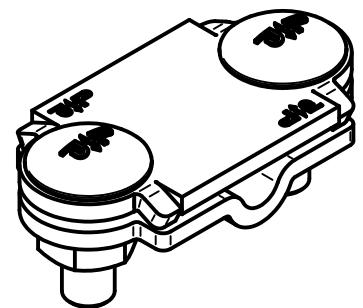
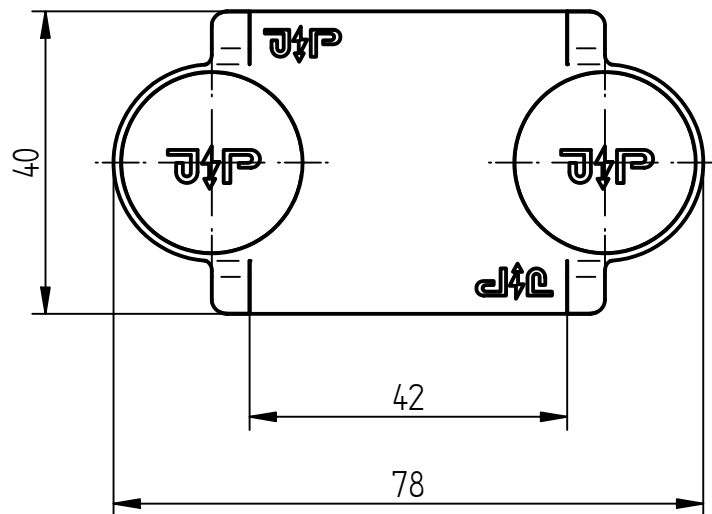
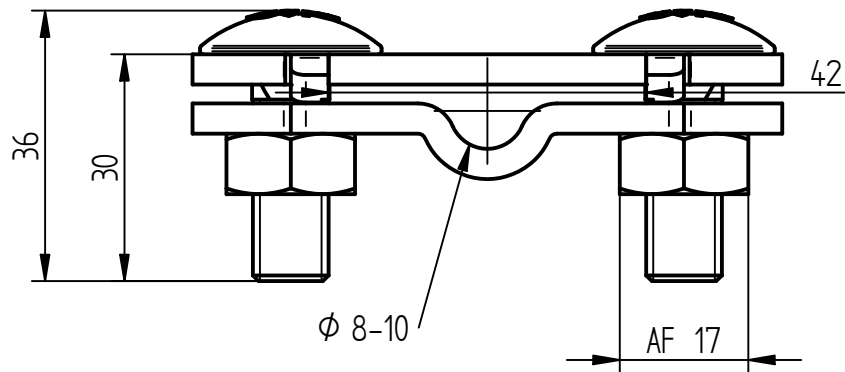


Product Specification

Ord.-No.: **2043**

Specification: Vario-Connecting clamp, St/tZn
two-part, round/flat, Ø 8-10mm/fl. 40mm

Performance: Connecting clamp -Vario- according to DIN EN 62561-1.



| | |
|--------------------|--|
| Material of clamp | St/tZn |
| Type of clamp | two-part, round/flat |
| Fit | Ø 8-10 mm / fl. 40 mm |
| Screw | [2x] Carriage bolt M10 with nut, Stainless steel V2A |
| Weight | 228 g |
| Standard reference | DIN EN 62561-1 |
| Packing unit | 50 units |